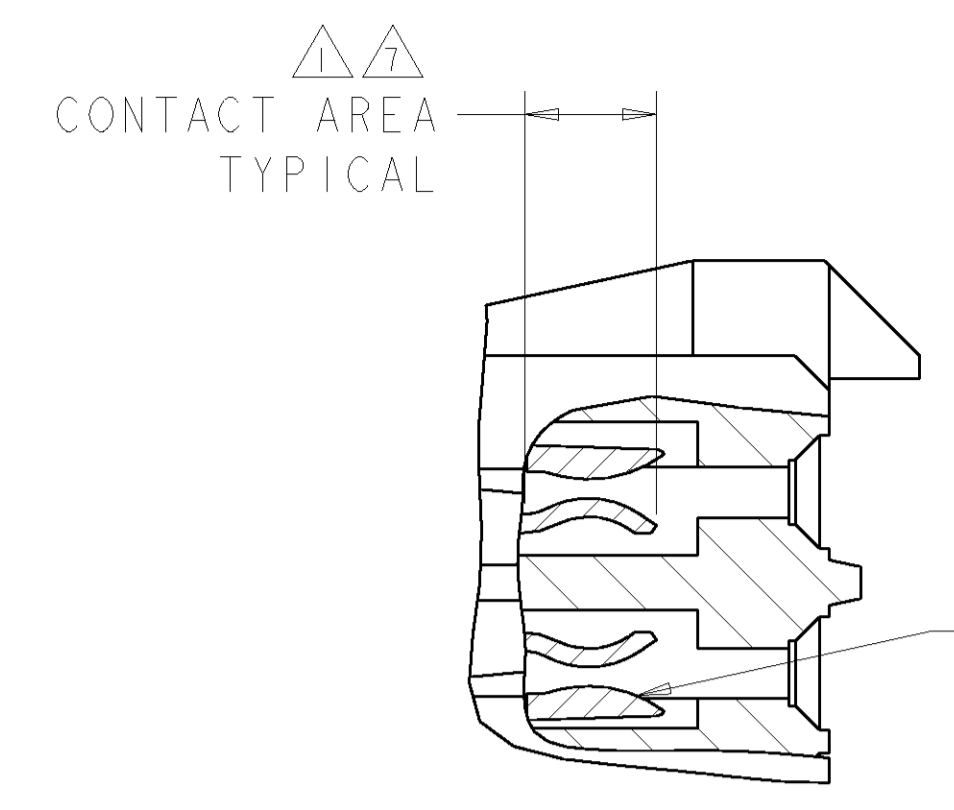


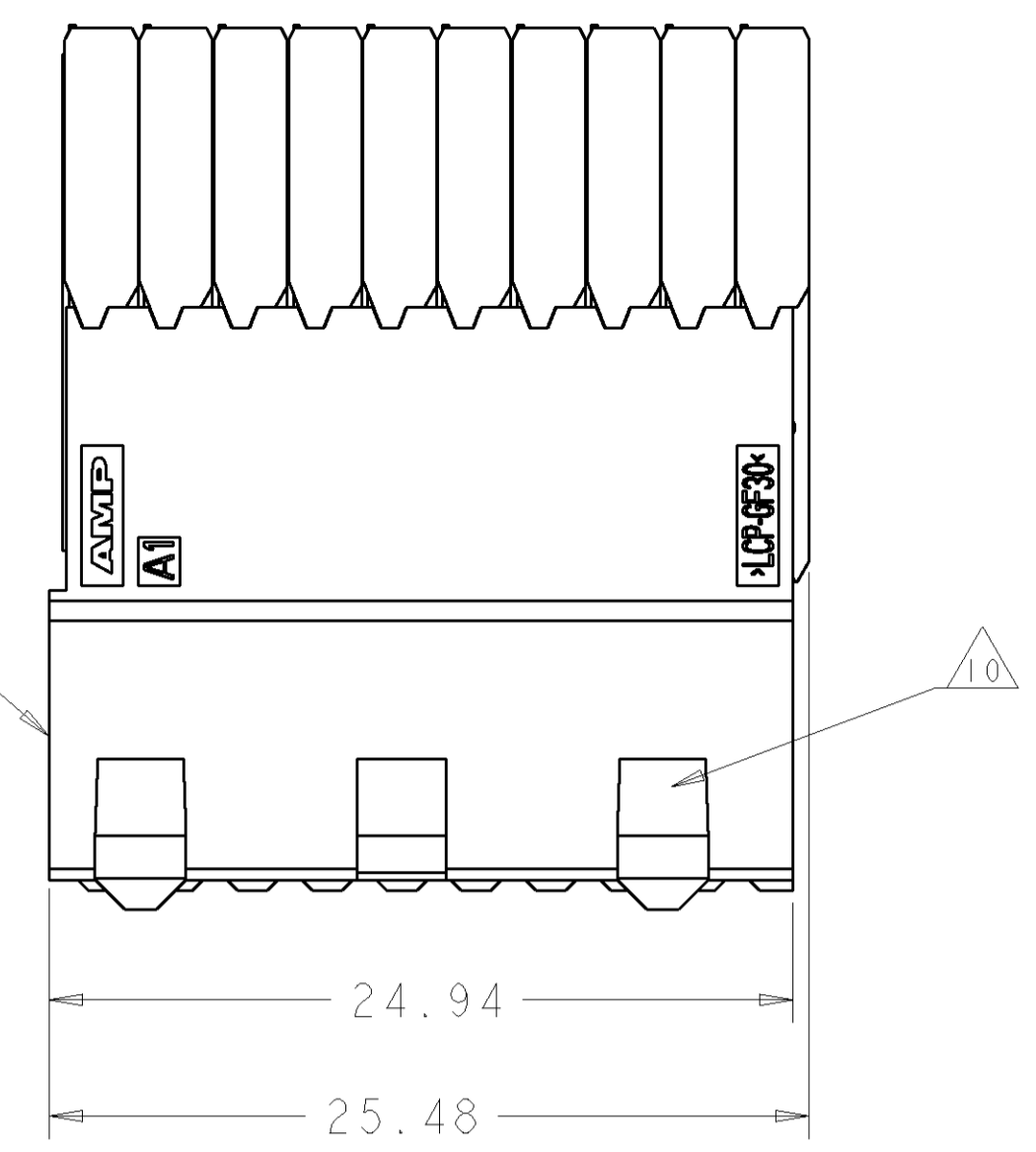
REVISONS		DATE	DWN	APVD
F	ADDED P/N 4-120790-1 PER 0512-0120-04	01MAR2004	SJM	RAP
G	REV PER EC 0512-0236-04	14SEP2004	BC	RP
G1	REV PER ECO-06-024579	22JAN2007	JRP	RAP



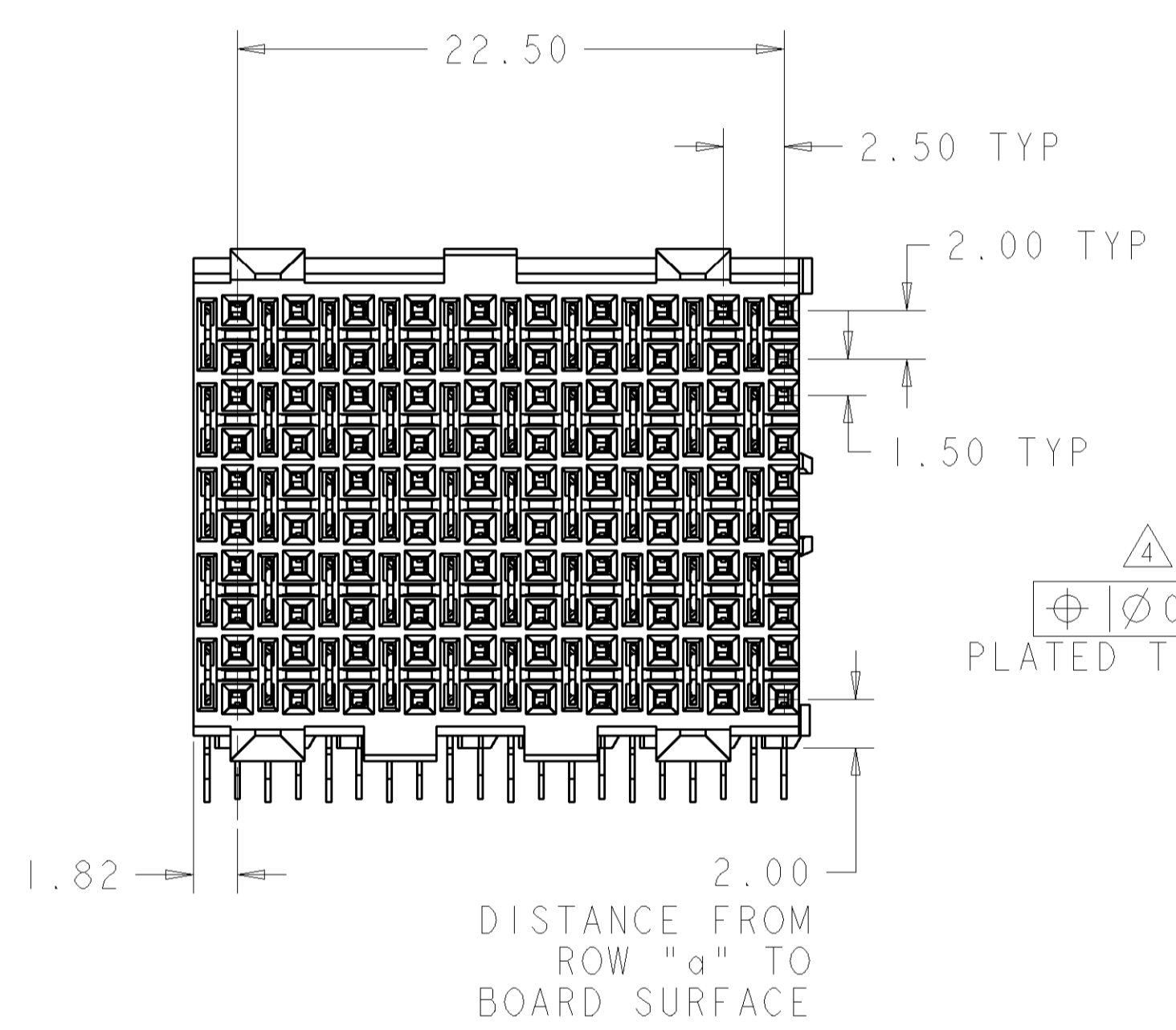
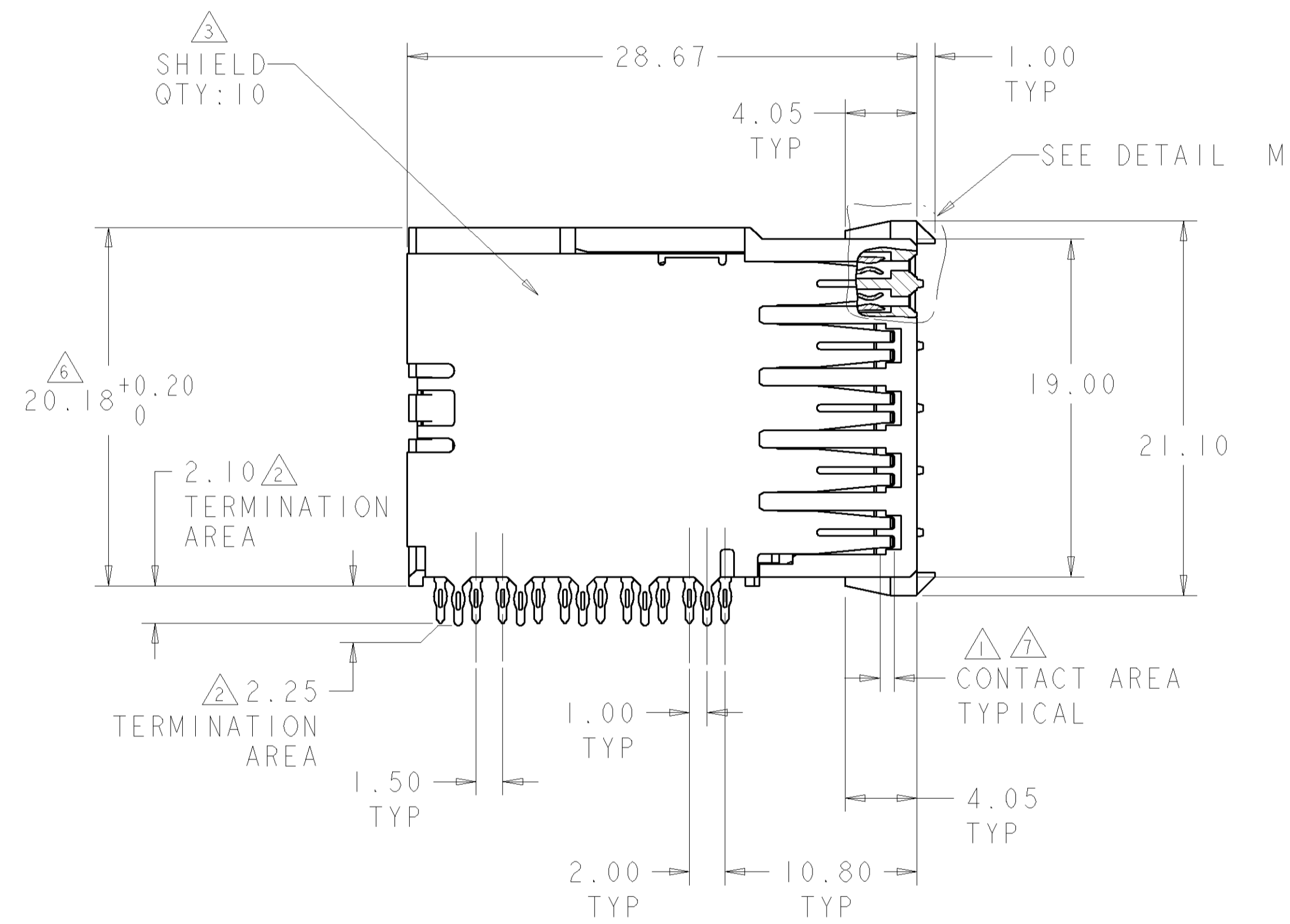
DETAIL M
SCALE 12:1

CONTACT QTY: 100

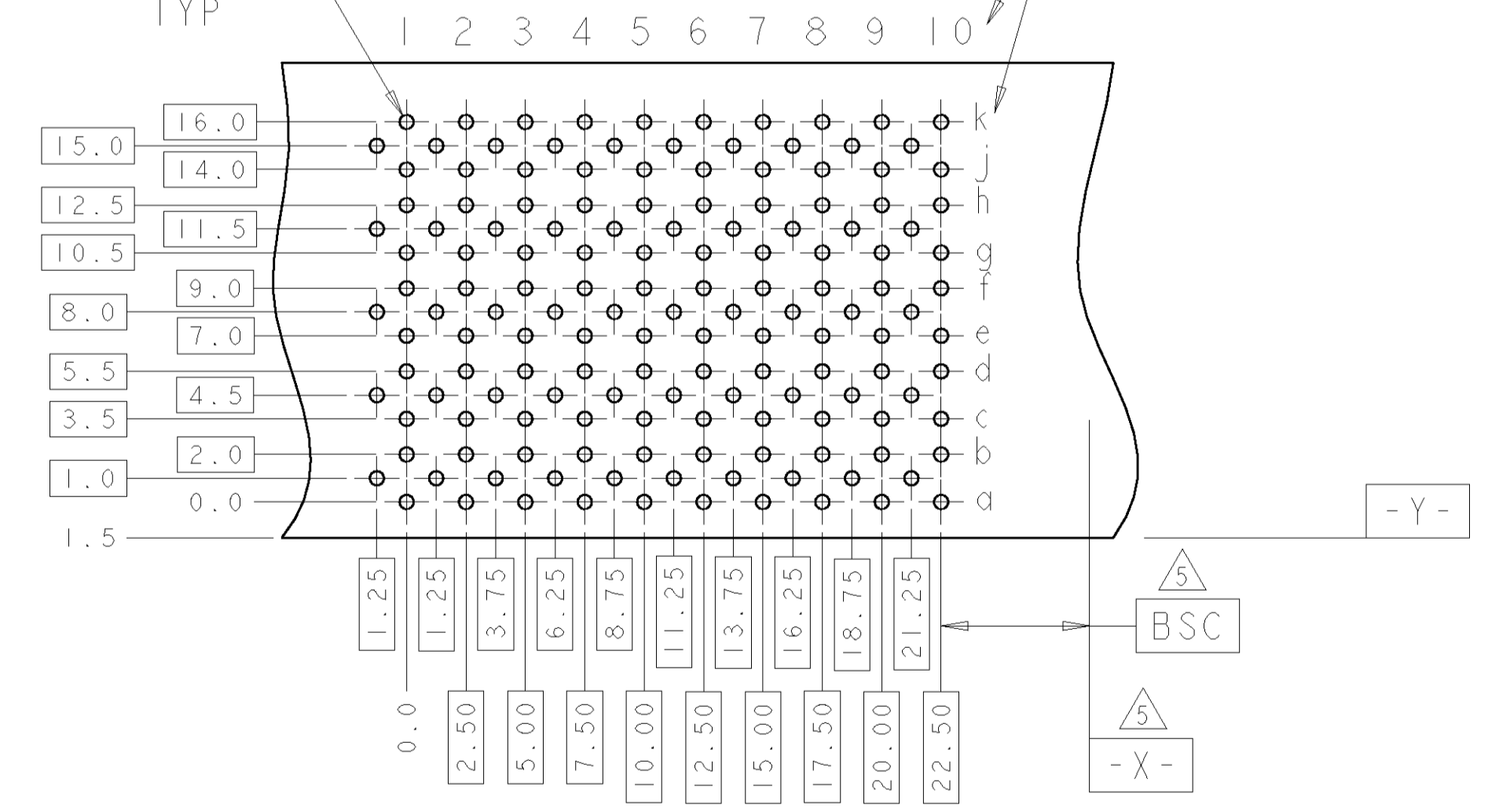
HOUSING QTY: 1



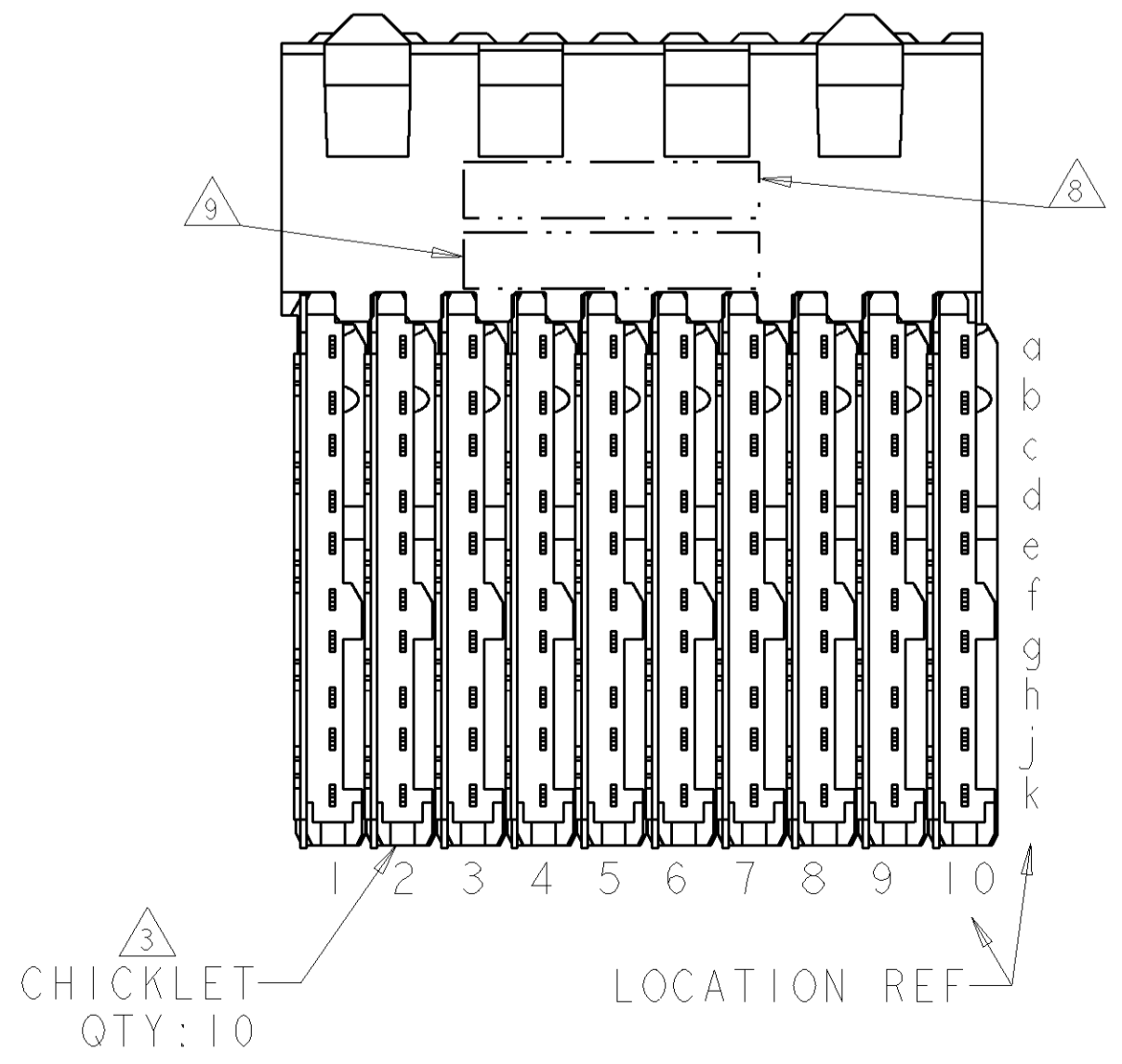
- △ 0.76µm MIN GOLD OVER 1.27µm MIN NICKEL OR GOLD FLASH OVER 0.76µm MIN PALLADIUM-NICKEL OVER 1.27µm MIN NICKEL
- △ 0.76µm MIN TIN-LEAD OVER 1.27µm MIN NICKEL
- △ MATERIAL: CONTACT - COPPER ALLOY
SHIELD - PHOSPHOR BRONZE
HOUSING - LCP, UL-94V-0
CHICKLET - GLASS FILLED POLYESTER
- △ REFERENCE APPLICATION SPEC 114-13020 FOR RECOMMENDED PLATED THRU HOLE DIAMETER AND PLATING THICKNESSES
- △ DATUM AND BASIC DIMENSION ESTABLISHED BY CUSTOMER.
- △ SEATING HEIGHT TO BOARD SURFACE.
- △ CONTACT AREA LUBRICATED WITH BELLCORE APPROVED LUBRICANT. TECHNICAL REFERENCE: GR-1217-CORE, ISSUE 1, NOVEMBER 1995.
- △ DATE CODE
- △ PART NUMBER
- △ VOID CORING OPTIONAL ON GUIDE FEATURES.



△ Ø0.60 REF
 $\begin{matrix} \oplus \\ \ominus \end{matrix} \oplus \ominus \text{X|Y}$
 PLATED THRU HOLES TYP



RECOMMENDED PRINTED
CIRCUIT BOARD LAYOUT
COMPONENT SIDE OF PRINTED CIRCUIT BOARD



△ 4-120790-1
120790-1
PART NUMBER

DIMENSIONS:		TOLERANCES UNLESS OTHERWISE SPECIFIED:		DWN: MDL 15FEB100		Tyco Electronics Harrisburg, PA 17105-3608	
mm		0 PLC ±		ENR: MDL 15FEB100		NAME: RECEPTACLE ASSEMBLY, 100 POSITION 10 ROW, DUAL BEAM, Z-PACK HS3	
		1 PLC ±0.2		APVD: MDL 15FEB100		SIZE: CAGE CODE DRAWING NO RESTRICTED TO	
		3 PLC ±0.13		PRODUCT SPEC 108-1957		A1 00779 C=120790	
		4 PLC ±0.05		APPLICATION SPEC 114-13020		SCALE 4:1 SHEET 1 OF 1 REV G1	
		ANGLES ±		WEIGHT -			
MATERIAL: 3		FINISH: SOLDER TAIL: 2		CUSTOMER DRAWING			